

**PLEASE CHECK WWW.MOLEX.COM FOR LATEST PART INFORMATION**

**Part Number:** [0462355001](#)  
**Status:** **Active**  
**Overview:** Micro-Fit, 3.0™  
**Description:** Micro-Fit 3.0™ High Mating Cycle, Reduced Mating Force, Crimp Terminal, Female, with 0.38µm (15µ") Selective Gold (Au) over Nickel (Ni), 20-24 AWG, with Lubricant

**Documents:**

[Drawing \(PDF\)](#) [RoHS Certificate of Compliance \(PDF\)](#)  
[Product Specification PS-46235-001 \(PDF\)](#)

**General**

Product Family	Crimp Terminals
Series	46235
Comments	90% increase in mating cycles (250 cycles) and up to 50% reduction in mating force
Crimp Quality Equipment	Yes
Overview	<u>Micro-Fit, 3.0™</u>
Product Name	Micro-Fit 3.0™

**Physical**

Durability (mating cycles max)	250
Gender	Female
Material - Metal	Copper-Zinc-Tin
Material - Plating Mating	Gold
Material - Plating Termination	Nickel
Packaging Type	Reel
Plating min: Mating (µin)	0.38
Plating min: Mating (µm)	15
Plating min: Termination (µin)	50
Plating min: Termination (µm)	1.27
Termination Interface: Style	Crimp or Compression
Wire Insulation Diameter	1.85mm (.073") max.
Wire Size AWG	20, 22, 24
Wire Size mm²	N/A

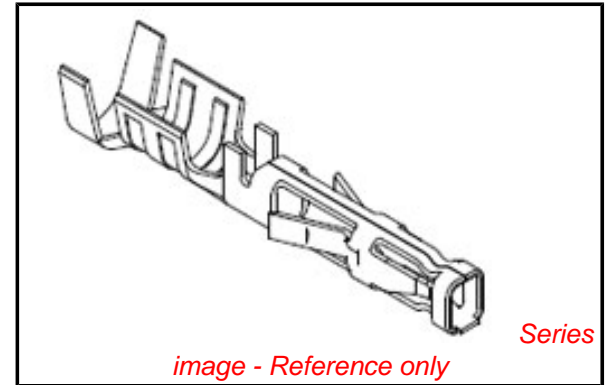
**Electrical**

Voltage - Maximum	600V
-------------------	------

**Material Info**

**Reference - Drawing Numbers**

Packaging Specification	PK-46235-001
Product Specification	PS-46235-001
Sales Drawing	SD-46235-001
Test Summary	TS-46235-001, TS-46235-501



**EU RoHS**

**ELV and RoHS Compliant**  
**REACH SVHC Contains SVHC: No**  
**Halogen-Free Status**

**China RoHS**



**Need more information on product environmental compliance?**

Email [productcompliance@molex.com](mailto:productcompliance@molex.com)  
 For a multiple part number RoHS Certificate of Compliance, [click here](#)

Please visit the [Contact Us](#) section for any non-product compliance questions.

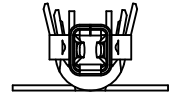
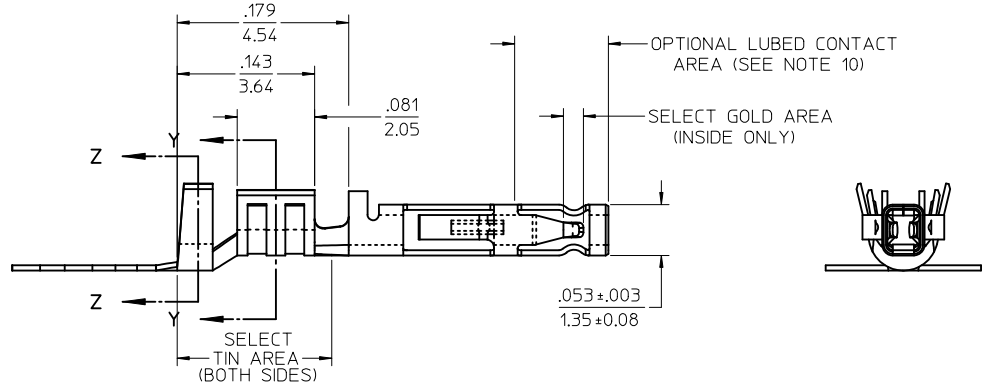
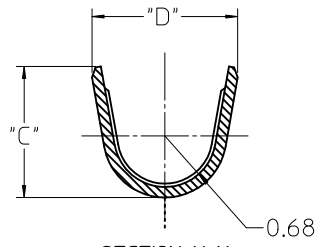
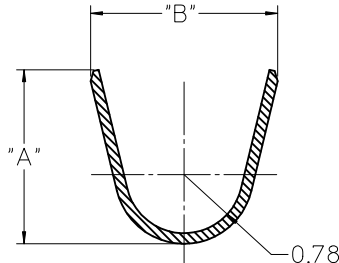
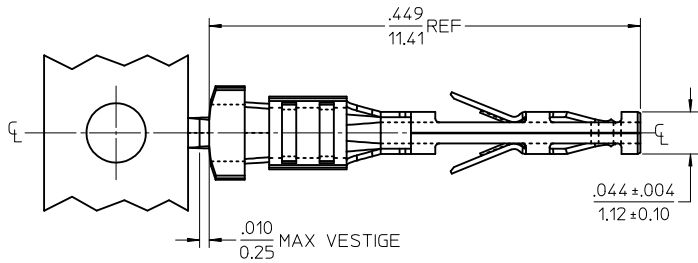
**Search Parts in this Series**

46235Series

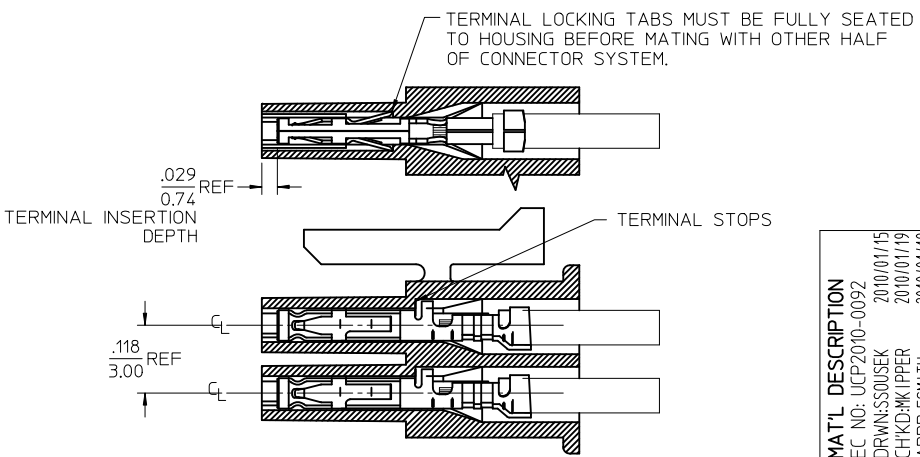
**Use With**

Micro-Fit 3.0™ Receptacle Housing [43025](#) , [43645](#) , [44133](#)

MATERIAL NUMBER	WIRE SIZE	PLATING OPTION	LUBRICATION	MAX INSULATION	"A" ±.012 ±0.30	"B" ±.012 ±0.30	"C" ±.012 ±0.30	"D" ±.012 ±0.30
46235-0001	20-24	1	NO	.073	.091	.098	.068	.073
46235-0002		2		1.85	2.30	2.48	1.73	1.93
46235-0003		1		.050	.075	.090	.048	.069
46235-0004	26-30	2	YES	1.27	1.90	2.29	1.22	1.75
46235-5001		1		.073	.091	.098	.068	.073
46235-5002	2	1.85		2.30	2.48	1.73	1.93	
46235-5003	26-30	1		.050	.075	.090	.048	.069
46235-5004		2		1.27	1.90	2.29	1.22	1.75



- NOTES
- MATERIAL: COPPER ALLOY
  - TERMINAL PLATING:
    - .000015/0.00038 MIN. SELECT GOLD .000100/0.00254 MIN. SELET TIN ALL OVER .000050/0.00127 MIN. NICKEL OVERALL.
    - .000030/0.00076 MIN. SELECT GOLD .000100/0.00254 MIN. SELET TIN ALL OVER .000050/0.00127 MIN. NICKEL OVERALL.
  - PRODUCT SPECIFICATION: PS-46235-001
  - PACKAGING SPECIFICATION: PK-46235-001
  - TERMINAL FOR USE IN RECEPTACLE SERIES 43025, 43645 AND 44133.
  - FOR TERMINAL ORIENTATION IN RECEPTACLE SEE PICTORIAL IN LOWER LEFT CORNER
  - THIS TERMINAL IS DESIGNED IN METRIC
  - MOLEX RECOMMENDS THE USE OF MICRO-FIT TEST PLUG (SERIES 44242) WHENEVER CONTINUITY TESTING IS PERFORMED. TEST PLUGS MUST NOT BE USED TO MAKE OR BREAK UNDER LOAD. MOLEX DOES NOT RECOMMEND USING STANDARD MATING COMPONENTS (SERIES 43020, 43045, 43640, 43650, OR 43031) FOR HARNESS TESTING PURPOSES
  - THIS PART CONFORMS TO CLASS B REQUIREMENTS OF COSMETIC SPEC PS-45499-002
  - MOLEX PROPRIETARY CONTACT LUBRICATION EB-1 IS APPLIED IN THE CONTACT AREA AS SHOWN. SEE CHART FOR APPLICABLE PART NUMBERS.



MATL DESCRIPTION	REV	DESCRIPTION
EC NO: UCP2010-0092	C1	
DRWN:SSOUSEK		
CHKD:MKIPPER		
APPR:FSMITH		

QUALITY SYMBOLS ▽=0 ▽=0	GENERAL TOLERANCES (UNLESS SPECIFIED)	DIMENSION STYLE IN/MM	SCALE 10:1	DESIGN UNITS METRIC	THIRD ANGLE PROJECTION
	4 PLACES ± --- ± --- 3 PLACES ± --- ±.010 2 PLACES ± 0.25 ±.014 1 PLACE ± 0.35 ± --- ANGULAR ±1/2°	DRAWN BY TGREGORI	DATE 2007/02/05	TITLE MICRO-FIT (3.0) FEMALE CRIMP TERMINAL LOW MATE FORCE	MOLEX INCORPORATED
DRAFT WHERE APPLICABLE MUST REMAIN WITHIN DIMENSIONS	APPROVED BY JCOMERC I	DATE 2007/03/19	DOCUMENT NO. SD-46235-001	SHEET NO. 1 OF 1	
THIS DRAWING CONTAINS INFORMATION THAT IS PROPRIETARY TO MOLEX INCORPORATED AND SHOULD NOT BE USED WITHOUT WRITTEN PERMISSION					